

## VALUE

Product Images

## APPLICATION AREAS:

Residential, Office buildings, Retail, Sports facilities, Studio, Stage, Supermarkets, Library



Dimming  
Optional



RF Control



Smart Lighting



CCT Tuning



Google or  
Alexa Voice

## TECHNICAL SPECIFICATIONS

### PRODUCT REFERENCE

<b>ITEM CODE</b>	VALUE 7
<b>ENVIRONMENT</b>	Indoor
<b>INSTALLATION</b>	Recessed

### CONSTRUCTION AND MATERIALS

<b>SIZE OUT SIDE MM</b>	68 MM DIA
<b>CUT OUT SIZE (MM)</b>	59x65
<b>HOUSING</b>	Die Cast Aluminium
<b>LENS / DIFFUSER</b>	High Transmission PC
<b>REFLECTOR</b>	PC High Purity Metallised
<b>SURFACE FINISH</b>	White/Black/Custom Powder Coated
<b>IP rating</b>	40

### THERMAL MANAGEMENT

<b>HEAT SINK MATERIAL</b>	Aluminium
<b>COOLING TECHNIQUE</b>	Passive

### OPTICAL SYSTEM

<b>BEAM ANGLE</b>	36°
<b>ILLUMINATION MODE</b>	Direct Lighting
<b>SWIVEL</b>	NO

## LIGHT TECHNOLOGY

<b>LED FITTED</b>	Bridgelux
<b>DELIVERED LUMENS</b>	805 / 770 / 735
<b>CCT (K)</b>	6000 / 4000 / 3000
<b>Tunable</b>	On Request
<b>LED BINNING</b>	3 Step MacAdam
<b>CRI (Ra)</b>	80 / 90
<b>LED LIFE L70</b>	40,000 HRS
<b>LUMINAIRE</b>	1120 / 1085 / 1050
<b>LUMINOUS FLUX</b>	
<b>LUMINOUS EFFICACY</b>	115 Lumens / Watt

## ELECTRICAL SYSTEM

<b>(UGR)</b>	<19
<b>INPUT VOLTAGE</b>	220 TO 240 Vac
<b>INPUT POWER</b>	07W
<b>POWER FACTOR</b>	>0.95
<b>THD</b>	<10%
<b>CONTROL GEAR</b>	Remote
<b>MOUNTING</b>	
<b>DRIVER PROTECTION</b>	OVP, Short Circuit, Surge
<b>DIMMING</b>	Phase / Analog / Dali / RF / APP
<b>EMERGENCY</b>	On Request
<b>BATTERY BACKUP</b>	

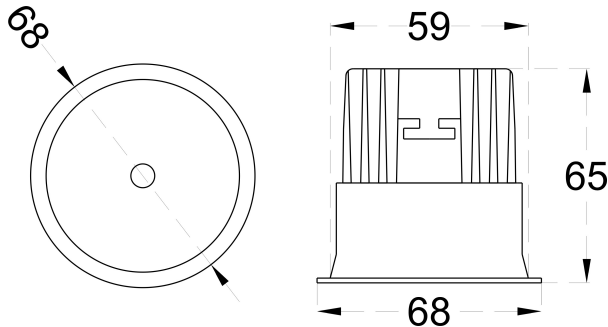
## PACKAGING DETAILS

**PACKING QTY -**

**GROSS WEIGHT -**

**CARTON SIZE -  
(LXBXH)**

### DIMENSIONS



### PHOTOMETRIC



## **ARCADE LIGHTING INDUSTRIES PVT LTD**

8 Raju industrial estate, Penkar pada, Near  
dahisar check naka, Mira road 401107

**NOTE :** The technical data sheet with design registration stamp is the property of Arcade Lighting India Pvt. Ltd. & protected under Intellectual Property law, and it is restricted for sharing with other lighting suppliers

Technical parameters are subjected to change time to time in order to improve product performance and reliability

BP-RV00 AR/FRT/TEC/TDS/01