

PLATO SQ

Product Images

APPLICATION AREAS:

Residential, Office buildings, Retail, Sports facilities, Studio, Stage, Supermarkets, Library



Swivel



RF Control



Smart Lighting



CCT Tuning



Google or Alexa Voice

TECHNICAL SPECIFICATIONS

PRODUCT REFERENCE

ITEM CODE	PLATO SQ 12
ENVIRONMENT	Indoor
INSTALLATION	Recessed

CONSTRUCTION AND MATERIALS

SIZE OUT SIDE MM	90x90
CUT OUT SIZE (MM)	75x75x75
HOUSING	Die Cast Aluminium
LENS / DIFFUSER	Tempered Glass
REFLECTOR	PC High Purity Metallised
SURFACE FINISH	White/Black/Custom Powder Coated
IP rating	40

THERMAL MANAGEMENT

HEAT SINK MATERIAL	Aluminium
COOLING TECHNIQUE	Passive

OPTICAL SYSTEM

BEAM ANGLE	15°, 24°, 36°, 60°
ILLUMINATION MODE	Direct Lighting
SWIVEL	Yes

LIGHT TECHNOLOGY

LED FITTED	Bridgelux
DELIVERED LUMENS	1380 / 1320 / 1260
CCT (K)	6000 / 4000 / 3000
Tunable	On Request
LED BINNING	3 Step MacAdam
CRI (Ra)	80 / 90
LED LIFE L70	40,000 HRS
LUMINAIRE	1920 / 1860 / 1800
LUMINOUS FLUX	
LUMINOUS EFFICACY	115 Lumens / Watt

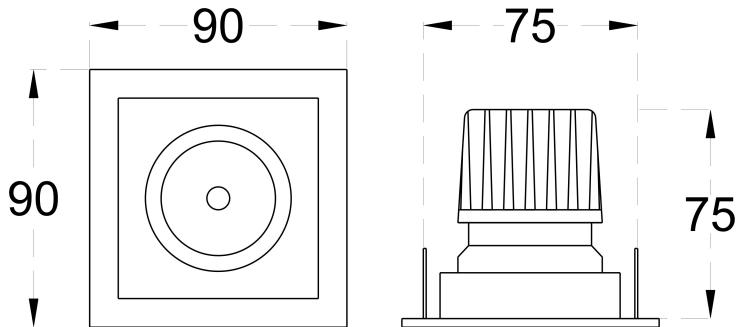
ELECTRICAL SYSTEM

(UGR)	<19
INPUT VOLTAGE	220 TO 240 Vac
INPUT POWER	12W
POWER FACTOR	>0.95
THD	<10%
CONTROL GEAR	Remote
MOUNTING	
DRIVER PROTECTION	OVP, Short Circuit, Surge
DIMMING	Phase / Analog / Dali / RF / APP
EMERGENCY	On Request
BATTERY BACKUP	

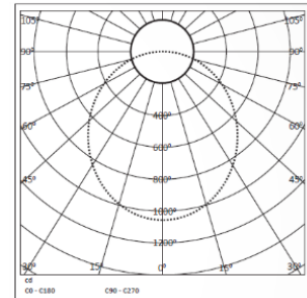
PACKAGING DETAILS

PACKING QTY -	GROSS WEIGHT -	CARTOON SIZE 28"x 19.75"x (LXBXH) 12.5"
----------------------	-----------------------	--

DIMENSIONS



PHOTOMETRIC



ARCADE LIGHTING INDUSTRIES PVT LTD

8 Raju industrial estate, Penkar pada, Near
dahisar check naka, Mira road 401107

NOTE : The technical data sheet with design registration stamp is the property of Arcade Lighting India Pvt. Ltd. & protected under Intellectual Property law, and it is restricted for sharing with other lighting suppliers

Technical parameters are subjected to change time to time in order to improve product performance and reliability

BP-RV00 AR/FRT/TEC/TDS/01