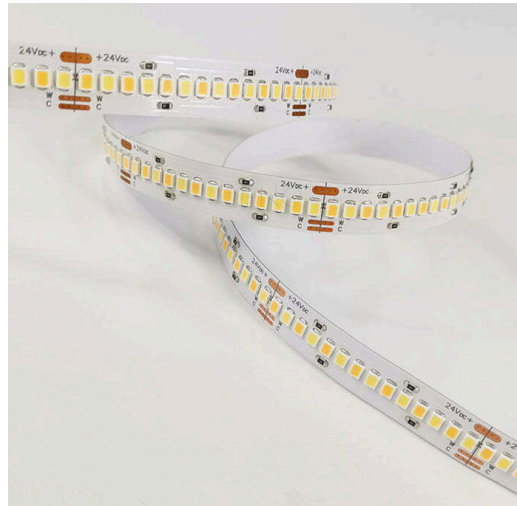


LED STRIP

Product Images

APPLICATION AREAS:

Office buildings, Retail, Supermarkets, Hospitality, Libraries



TECHNICAL SPECIFICATIONS

PRODUCT REFERENCE

ITEM CODE	LED STRIP 24 2835 240
	TUNABLE
ENVIRONMENT	Indoor
INSTALLATION	SURFACE

CONSTRUCTION AND MATERIALS

SIZE OUT SIDE MM	5000x10x3
CUT OUT SIZE (MM)	N/A
HOUSING	N/A
LENS / DIFFUSER	N/A
REFLECTOR	N/A
SURFACE FINISH	N/A
IP rating	N/A

THERMAL MANAGEMENT

HEAT SINK MATERIAL	N/A
COOLING TECHNIQUE	N/A

OPTICAL SYSTEM

BEAM ANGLE	120°
ILLUMINATION MODE	Direct Lighting
SWIVEL	No

LIGHT TECHNOLOGY

LED FITTED	Bridgelux
DELIVERED LUMENS	1620 / 1530 / 1440
CCT (K)	6000 / 4000 / 3000
Tunable	On Request
LED BINNING	5 Step MacAdam
CRI (Ra)	80
LED LIFE L70	45,000 HRS
LUMINAIRE	1620 / 1530 / 1440
LUMINOUS FLUX	
LUMINOUS EFFICACY	90 Lumens / Watt

ELECTRICAL SYSTEM

(UGR)	<22
INPUT VOLTAGE	24VDC
INPUT POWER	18W
POWER FACTOR	N/A
THD	N/A
CONTROL GEAR	N/A
MOUNTING	
DRIVER PROTECTION	N/A
DIMMING	N/A
EMERGENCY BATTERY BACKUP	N/A

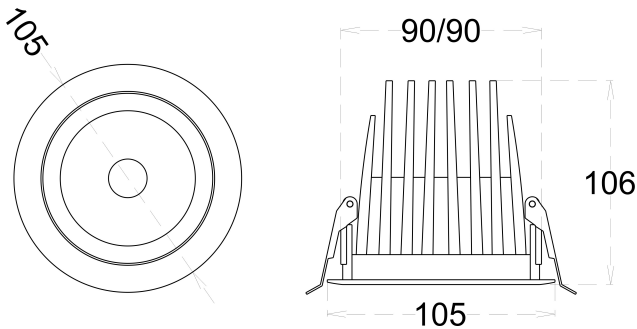
PACKAGING DETAILS

PACKING QTY -

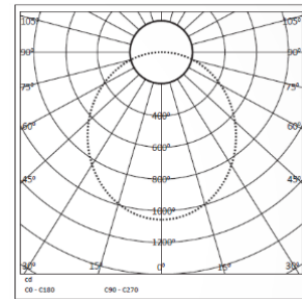
GROSS WEIGHT -

**CARTOON SIZE -
(LXBXH)**

DIMENSIONS



PHOTOMETRIC



ARCADE LIGHTING INDUSTRIES PVT LTD

8 Raju industrial estate, Penkar pada, Near
dahisar check naka, Mira road 401107

NOTE : The technical data sheet with design registration stamp is the property of Arcade Lighting India Pvt. Ltd. & protected under Intellectual Property law, and it is restricted for sharing with other lighting suppliers

Technical parameters are subjected to change time to time in order to improve product performance and reliability

BP-RV00 AR/FRT/TEC/TDS/01