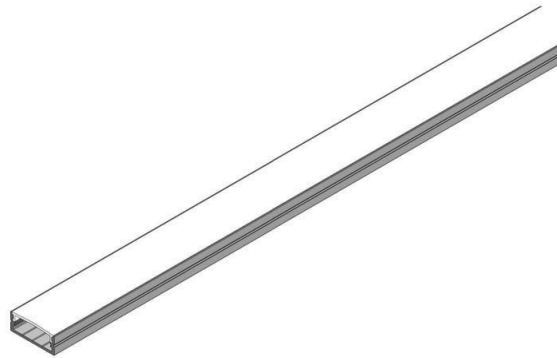


LED PROFILES 6

Product Images

APPLICATION AREAS:

Office buildings, Retail, Supermarkets, Hospitality, Libraries



Tailor Made

80

CRI



Smart Lighting



CCT Tuning



Dimming
Optional

TECHNICAL SPECIFICATIONS

PRODUCT REFERENCE

| | |
|---------------------|-----------|
| ITEM CODE | AR0062310 |
| ENVIRONMENT | Indoor |
| INSTALLATION | Surface |

CONSTRUCTION AND MATERIALS

| | |
|--------------------------|----------------------------------|
| SIZE OUT SIDE MM | 2000x23x10 |
| CUT OUT SIZE (MM) | - |
| HOUSING | Extruded Aluminium |
| LENS / DIFFUSER | High Transmission PMMA |
| REFLECTOR | N/A |
| SURFACE FINISH | Anodised/Custom Powder Coated |
| IP rating | 20 |

THERMAL MANAGEMENT

| | |
|---------------------------|-----------|
| HEAT SINK MATERIAL | Aluminium |
| COOLING TECHNIQUE | Passive |

OPTICAL SYSTEM

| | |
|--------------------------|-------------------|
| BEAM ANGLE | 110° |
| ILLUMINATION MODE | Indirect Lighting |
| SWIVEL | No |

LIGHT TECHNOLOGY

| | |
|--------------------------|----|
| LED FITTED | NA |
| DELIVERED LUMENS | NA |
| CCT (K) | NA |
| Tunable | NA |
| LED BINNING | NA |
| CRI (Ra) | NA |
| LED LIFE L70 | NA |
| LUMINAIRE | NA |
| LUMINOUS FLUX | |
| LUMINOUS EFFICACY | NA |

ELECTRICAL SYSTEM

| | |
|--------------------------|----|
| (UGR) | NA |
| INPUT VOLTAGE | NA |
| INPUT POWER | NA |
| POWER FACTOR | NA |
| THD | NA |
| CONTROL GEAR | NA |
| MOUNTING | |
| DRIVER PROTECTION | NA |
| DIMMING | NA |
| EMERGENCY BATTERY | NA |
| BACKUP | |

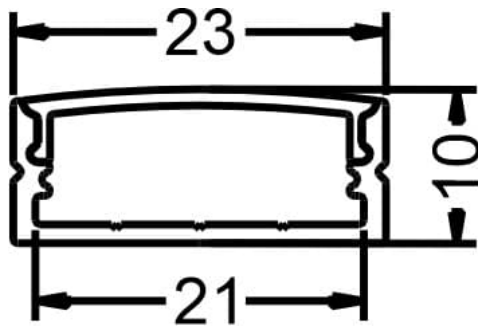
PACKAGING DETAILS

PACKING QTY -

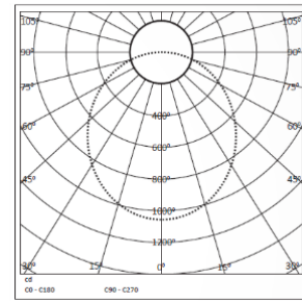
GROSS WEIGHT -

**CARTOON SIZE -
(LXBXH)**

DIMENSIONS



PHOTOMETRIC



ARCADE LIGHTING INDUSTRIES PVT LTD

8 Raju industrial estate, Penkar pada, Near
dahisar check naka, Mira road 401107

NOTE : The technical data sheet with design registration stamp is the property of Arcade Lighting India Pvt. Ltd. & protected under Intellectual Property law, and it is restricted for sharing with other lighting suppliers

Technical parameters are subjected to change time to time in order to improve product performance and reliability

BP-RV00 AR/FRT/TEC/TDS/01